

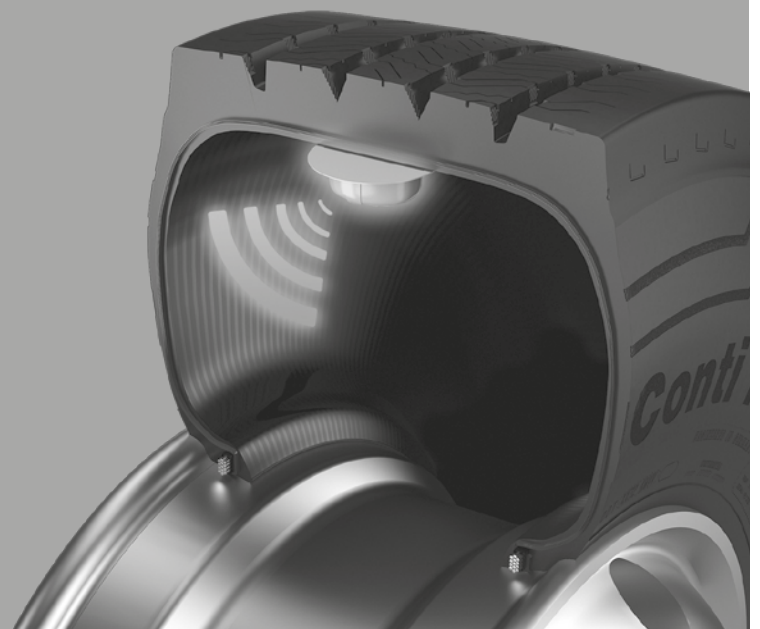
Continental 
The Future in Motion



ContiPressureCheck™

Homologation Certificate Vehicle Components
17340480000 / A2C81588800 Rev. 03

The latest version can be found at URL:
contipressurecheck.com/system/homologation



Homologation Certificate Vehicle Components

17340480000 / A2C81588800 Rev. 03

The latest version can be found at URL: contipressurecheck.com/system/homologation



Components can be used in:

AE, AO, AU, BR, CA, CN, CO, EC, EU, GH, HK, ID, IL, IN, KE, KR, MY, MX, NZ, RS, RU, SG, TH, TR, US, ZA

Details see below

S180142001:

RX @ 125 kHz; TX @ 433,92 MHz

• Tire Sensor

Maximum transmitter power: <10 dBm

5WK49093 / 5WK49096:

RX @ 433,92 MHz

- Central Control Unit TRUCK/BUS
- Central Control Unit TRAILER
- Additional Receiver



EU: AT, BE, BU, CY, CZ, DE, DK, EE, ES, FI, FR, GR, HR, HU, IE, IT, LV, LT, LU, MT, NL, PL, PT, RO, SE, SI, SK, UK

EFTA: CH, IS, LI, NO

Others: AD, AL, AO, BA, GE, MC, ME, MK, SM, TR

Compliance statement according 2014/53/EU

Česky [Czech]	Continental tímto prohlašuje, že tento Radio Transmitter/Receiver je ve shodě se základními požadavky a dalšími příslušnými ustanoveními směrnice 2014/53/ES.	Nederlands [Dutch]	Hierbij verklaart Continental dat het toestel Radio Transmitter/Receiver in overeenstemming is met de essentiële eisen en de andere relevante bepalingen van richtlijn 2014/53/EG.
Dansk [Danish]	Undertegnede Continental erklærer herved, at følgende udstyr Radio Transmitter/Receiver overholder de væsentlige krav og øvrige relevante krav i direktiv 2014/53/EF.	Malti [Maltese]	Hawn hekk, Continental, jiddikjara li dan Radio Transmitter/Receiver jikkonforma mal-htigijiet essenzjali u ma provvedimenti oħrajn relevanti li hemm fid-Direttiva 2014/53/EC.
Deutsch [German]	Hiermit erklärt Continental, dass sich das Gerät Radio Transmitter/Receiver in Übereinstimmung mit den grundlegenden Anforderungen und den übrigen einschlägigen Bestimmungen der Richtlinie 2014/53/EG befindet.	Magyar [Hungarian]	Alulírott, Continental nyilatkozom, hogy a Radio Transmitter/Receiver megfelel a vonatkozó alapvető követelményeknek és az 2014/53/EC irányelv egyéb előírásainak.
Eesti [Estonian]	Käesolevaga kinnitab Continental seadme Radio Transmitter/Receiver vastavust direktiivi 2014/53/EÜ põhinõuetele ja nimetatud direktiivist tulenevatele teistele asjakohastele sätetele.	Polski [Polish]	Niniejszym Continental oświadcza, że Radio Transmitter/Receiver jest zgodny z zasadniczymi wymogami oraz pozostałymi stosownymi postanowieniami Dyrektywy 2014/53/EC.
English	Hereby, Continental declares that this Radio Transmitter/Receiver is in compliance with the essential requirements and other relevant provisions of Directive 2014/53/EC.	Português [Portuguese]	Continental declara que este Radio Transmitter/Receiver está conforme com os requisitos essenciais e outras disposições da Directiva 2014/53/CE.
Español [Spanish]	Por medio de la presente Continental declara que el Radio Transmitter/Receiver cumple con los requisitos esenciales y cualesquiera otras disposiciones aplicables o exigibles de la Directiva 2014/53/CE.	Slovensko [Slovenian]	Continental izjavlja, da je ta Radio Transmitter/Receiver v skladu z bistvenimi zahtevami in ostalimi relevantnimi določili direktive 2014/53/ES.
Ελληνική [Greek]	ΜΕ ΤΗΝ ΠΑΡΟΥΣΑ Continental ΔΗΛΩΝΕΙ ΟΤΙ Radio Transmitter/Receiver ΣΥΜΜΟΡΦΩΝΕΤΑΙ ΠΡΟΣ ΤΙΣ ΟΥΣΙΩΔΕΙΣ ΑΠΑΙΤΗΣΕΙΣ ΚΑΙ ΤΙΣ ΛΟΙΠΕΣ ΣΧΕΤΙΚΕΣ ΔΙΑΤΑΞΕΙΣ ΤΗΣ ΟΔΗΓΙΑΣ 2014/53/EK.	Slovensky [Slovak]	Continental týmto vyhlasuje, že Radio Transmitter/Receiver spĺňa základné požiadavky a všetky príslušné ustanovenia Smernice 2014/53/ES.
Français [French]	Par la présente Continental déclare que l'appareil Radio Transmitter/Receiver est conforme aux exigences essentielles et aux autres dispositions pertinentes de la directive 2014/53/CE.	Suomi [Finnish]	Continental vakuuttaa täten että Radio Transmitter/Receiver tyyppinen laite on direktiivin 2014/53/EY oleellisten vaatimusten ja sitä koskevien direktiivin muiden ehtojen mukainen.
Italiano [Italian]	Con la presente Continental dichiara che questo Radio Transmitter/Receiver è conforme ai requisiti essenziali ed alle altre disposizioni pertinenti stabilite dalla direttiva 2014/53/CE.	Svenska [Swedish]	Härmed intygar Continental att denna Radio Transmitter/Receiver står i överensstämmelse med de väsentliga egenskapskrav och övriga relevanta bestämmelser som framgår av direktiv 2014/53/EG.
Latviski [Latvian]	Ar šo Continental deklarē, ka Radio Transmitter/Receiver atbilst Direktīvas 2014/53/EK būtiskajām prasībām un citiem ar to saistītajiem noteikumiem.	Íslenska [Icelandic]	Hér með lýsir Continental yfir því að Radio Transmitter/Receiver er í samræmi við grunnkröfur og aðrar kröfur, sem gerðar eru í tilskipun 2014/53/EC.
Lietuvių [Lithuanian]	Šiuo Continental deklaruoja, kad šis Radio Transmitter/Receiver atitinka esminius reikalavimus ir kitas 2014/53/EB Direktyvos nuostatas.	Norsk [Norwegian]	Continental erklærer herved at utstyret Radio Transmitter/Receiver er i samsvar med de grunnleggende krav og øvrige relevante krav i direktiv 2014/53/EF.



USA

**KR5S180142001
5WK49093**

FCC approval also allows to use these devices in: American Samoa, Baker Island, Guam, Howland Island, Jarvis Island, Johnston Atoll, Kingman Reef, Marschall Islands, Fed. States of Micronesia, Midway Islands, Navassa Island, Northern Mariana Islands, Palau, Palmyra Atoll, Puerto Rico, Virgin Islands, Wake Island

The device Tire Sensor S180142001 and the device 5WK49093 comply with Part 15 of the FCC Rules.

Operation is subject to the following two conditions:
(1) this device may not cause harmful interference, and
(2) this device must accept any interference received, including interference that may cause undesired operation.
Changes or modifications not expressly approved by the party responsible for compliance could void the user's authority to operate the equipment.

Continental Reifen Deutschland GmbH

Registered address: Vahrenwalder Str. 9; D-30165 Hannover; Germany

Operating address: Büttnerstr. 25; D-30165 Hannover; Germany

Tel. +49 511 938-01 – e-mail. mail_service@conti.de – Web: www.contipressurecheck.com

S180142001:

RX @ 125 kHz; TX @ 433,92 MHz

5WK49093 / 5WK49096:

RX @ 433,92 MHz

Australia (AU)

It is also allowed to use these devices in:
New Zealand, Heard and McDonald Islands, Australian Antarctic Territory,
Coral Sea Islands Territory, Ashmore Reef and Cartier Island



Brazil (BR)



“Este equipamento opera em caráter secundário, isto é, não tem direito á proteção contra interferência prejudicial, mesmo de estações do mesmo tipo, e não pode causar interferência a sistemas operando em caráter primário.”

Canada (CA)

IC: 7812D-TTM42001

IC: 267T-5WK49096

This device complies with Industry Canada license-exempt RSS standard(s).

Operation is subject to the following two conditions:

1. this device may not cause harmful interference, and
2. this device must accept any interference received, including interference that may cause undesired operation.

Le présent appareil est conforme aux CNR d'Industrie Canada applicables aux appareils radio exempts de licence.

L'exploitation est autorisée aux deux conditions suivantes :

1. l'appareil ne doit pas produire de brouillage, et
2. l'utilisateur de l'appareil doit accepter tout brouillage radioélectrique subi, même si le brouillage est susceptible d'en compromettre le fonctionnement.

China (CN)

CMIIT ID: 2015DJ6840

Ghana (GH)

NCA APPROVED:

2R9-8M-7E0-10B

NCA/TA/2008

India (IN)

Certificate ref. No.:

NR-ETA-/4356

NR-ETA-182/2007

Indonesia (ID)

47311/SDPPI/2016
2684

Israel (IL)

Certificate ref. No.:

63-63571

63 (004)

שם הדגם (Hebrew: Model Name)

S180142001; 5WK49096

היצרן ואת הכתובת (Hebrew: Manufacturer and address)

Continental Automotive GmbH
Siemensstraße 12
93055 Regensburg
Germany

Kenya (KE)

Certificate ref. No.:

CA/LCS/1600/00027/Vol. 1

S180142001:
RX @ 125 kHz; TX @ 433,92 MHz

5WK49093 / 5WK49096:
RX @ 433,92 MHz

Korea, Republic (KR)



MSIP-CRM-TAL-S180142001

Continental Automotive GmbH
Tire Pressure Monitoring System Sensor
S180142001
France

Malaysia (MY)

Approval No.: RAQP/43A/0415/S(15-0523)

Mexico (MX)

RLVCOS111-0907

Russian Federation (RU)

№ РОСС ДЕ.МЛ05.Н01141

№ РОСС ДЕ.МЛ05.Н00473

Serbia (RS)

P1616094600



Singapore (SG)

Registration No.: N2802-16

Complies with
IDA Standards
DA107398

South Africa (ZA)



TA-2016/401
APPROVED



TA-2005/611
APPROVED

Thailand (TH)

Registration No.: RT 1564

United Arab Emirates (AE)

TRA approval also allows to use these devices in:
Abu Dhabi, Dubai, Sharjah, Ras al-Khaimah, Umm al-Qawain, Ajman, Fujairah

**TRA
REGISTERED No.:**
ER47214/16
DEALER No.:
DA36975/14